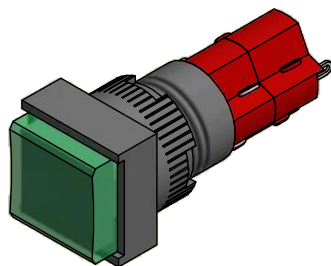
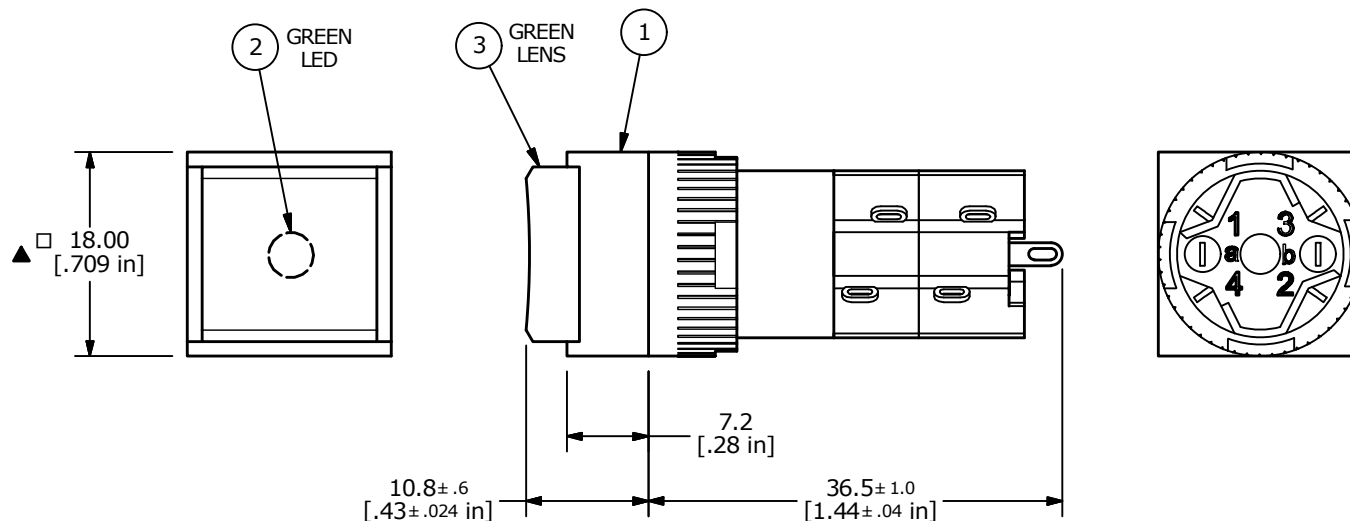
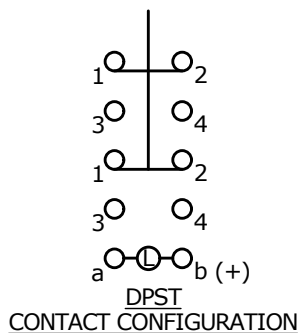


PANEL MOUNTING



PARTS LIST			
ITEM	QTY	PART NUMBER	DESCRIPTION
1	1	F040020	D16EES12
2	1	F050419	50-004-19 12VDC GREEN LED
3	1	F050302	50-003-02 TRANSPARENT GREEN SQUARE (CONCAVE) LENS



- NOTE:
1. ALL DIMENSIONS IN MM [INCH]
  2. GENERAL TOLERANCE: X.X = ±0.4  
X.XX = ±0.25
  3. TERMINAL NUMBERS FOR REF ONLY
  4. CONTACT RATING: 5A@ 250VAC  
8A@ 125VAC  
6A@ 24VDC
  5. ELECTRICAL LIFE: 50,000 OPERATIONS
  6. OPERATING TEMP.: -25°C to 55°C
  - ▲ 7. LAMP VOLTAGE: 12VDC GREEN LED
  8. ▲ DENOTES CRITICAL PARAMETER.
  9. DEGREE OF PROTECTION: IP 40
  10. PANEL THICKNESS: 0.5 - 5.0mm
  11. TRAVEL: 3.0mm FULL TRAVEL
  12. PACKAGE: BOX/20 PCS



B	23625	correct Lamp color in notes	10/9/18	MW
A	18816	Release For Production	3/17/10	BLR
REV	PCR NO	DESCRIPTION	DATE	BY

TITLE D16EES12JGRNGRN				
SCALE 3:2	DATE 3/17/2010	DR BLR	DWG XF0816P	REV B

THE INFORMATION CONTAINED IN THIS DOCUMENT IS PROPRIETARY TO E-SWITCH AND IS NOT TO BE COPIED OR TRANSFERRED